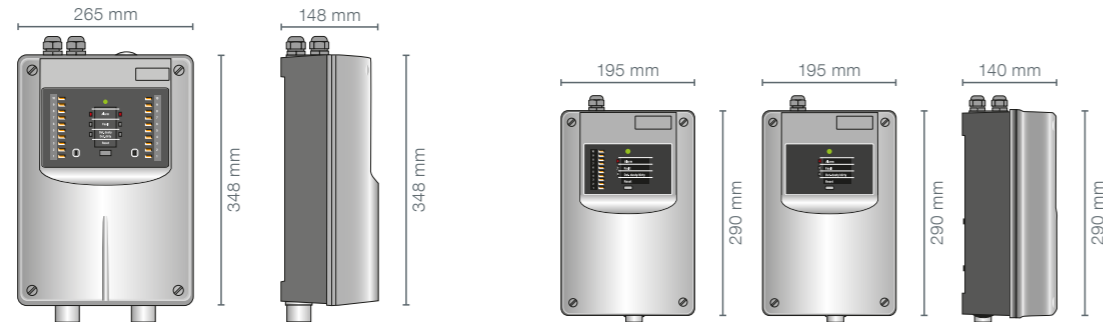


Overview of the aspirating smoke detectors: SecuriSmoke ASD



	ASD 535	ASD 533	ASD 532	ASD 531
Product details				
Channels	1/2	1	1	1
Smoke sensor	Highly sensitive smoke sensor with high-power LED, LVSC smoke chamber and patented lint filter			
Monitoring area	5760 m ²	1920 m ²	1280 m ²	720 m ²
Smoke level indicator	Option (Versions -3 and -4)	No	Series	No
Programming (PC tool)	ASD Config	ASD Config	ASD Config	Not available
Configuration	EasyConfig	EasyConfig	EasyConfig	BasiConfig
Sampling pipe calculation	ASD PipeFlow	ASD PipeFlow	ASD PipeFlow	ASD PipeFlow
Applications	High-bay warehouses, deep-freeze warehouses, large data centres, historic buildings, large/high halls, etc.	Lift shafts, museums, cultural artefacts, halls, cinemas, etc.	Prison cells, clean rooms, laboratories, IT racks, telecommunications equipment, etc.	Individual IT racks, clean rooms, false ceilings, etc.
Coated printed circuit boards and surge protection	HD version	—	—	—
Approvals/certificates	VdS, DIBt, UL, FM, ActivFire, CCCF, EAC, SIL	VdS, UL, FM, ActivFire, EAC	VdS, UL, FM, ActivFire, CCCF, EAC, SIL	VdS, UL, FM, ActivFire, CCCF, EAC

		ASD 535	ASD 533	ASD 532	ASD 531
Technical data					
Supply voltage range	EN 54 FM/UL	10.5 to 30 VDC 12.4 to 27 VDC	10.5 to 30 VDC 12.4 to 27 VDC	14.0 to 30 VDC 16.4 to 27 VDC	14.0 to 30 VDC 16.4 to 27 VDC
Power consumption	Type at 24 VDC	260 to 290 mA	210 mA	115 mA	75 mA
Alarm sensitivity	Alarm Pre-signal	0.02 to 10%/m (0.00087–0.457 dB/m) From 0.002%/m (0.0000869 dB/m)			0.02 to 10%/m From 0.006%/m
Alarm levels		5 (3 pre-signals, alarm, alarm 2) Adjustable pre-signals 10 to 90%			4 (3 pre-signals permanently set 30/50/70%)
Number of sampling holes (with ASD PipeFlow)	EN 54-20, Class A EN 54-20, Class B EN 54-20, Class C	2 × 18 2 × 56 2 × 120	16 50 50	8 12 16	6 8 12
System limits compliant with EN 54-20, Class C	Max. overall length of all sampling pipes	2 × 300 m	200 m	120 m	75 m
System limits without standards conformity	Max. overall length of all sampling pipes	2 × 400 m	200 m	120 m	75 m
Fan/aspirating system	Suction pressure	> 400 Pa	> 400 Pa	> 100 Pa	> 30 Pa
	Sound pressure level	> 34 dB (A)	> 34 dB (A)	> 25 dB (A)	> 25 dB (A)
Housing	Protection type	IP 54 (IP 66: HD version)	IP 54	IP 54	IP 54
Operating temperature/humidity	Evaluation unit	–30 to +60 °C/ 95% RH (UL max. +40 °C)	–20 °C to +60 °C/ 95% RH (UL max. +40 °C)	–20 °C to +60 °C/ 95% RH (UL max. +40 °C)	–10 to +55 °C/ 95% RH (UL max. +40 °C)
Relay	Number of 1-channel versions 2-channel version	3 (1 alarm, 1 fault, 1 free) 3 (each 1 alarm I and II alarms, 1 fault)	3 (1 alarm, 1 fault, 1 free)	2 (1 alarm, 1 fault) (use RIM 36 for pre-signals)	
	Contact load	50 VDC/1 A (UL 30 VDC)			
Interfaces	Open collector outputs	As relays	As relays	As relays	As relays
	PC tool	USB	USB	Ethernet	—
	Network	RS 485	—	RS 485, Ethernet	—
	Inputs	Reset, day/night	Reset, day/night	Reset, day/night	Reset
SecuriFire integration	Yes, with XLM-35 module (alarm, pre-signal, faults, day/night sensitivity switching, reset, etc.)				
Event memory/analogue values	On board	430 events	1000 events	1000 events	1000 events