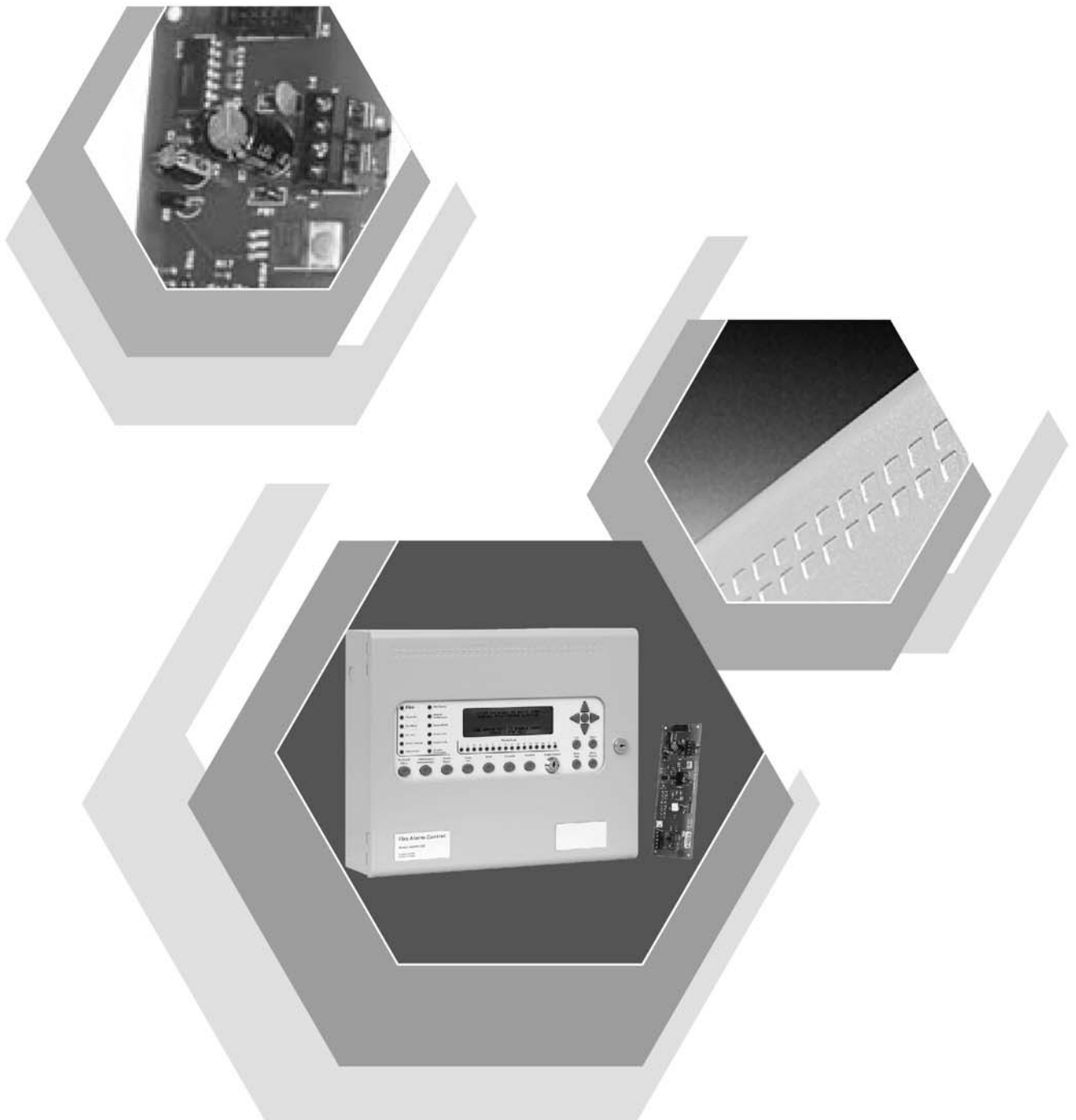


# Syncro ASM

Voyage Data Recorder  
Hardware Interface (S737)

Marine Fire Control Panel

Man-1125 Issue 03 June 2013



The Kentec Voyage Data Recorder interface allows NMEA 0183 standard messages to be transmitted to the RS485 serial input of a compatible Voyage Data Recorder.

### Messages

Messages are sent to the VDR as sentences.

The Syncro ASM fire panel will send data that would normally be sent to the printer abbreviated such that the total message is no greater than 82 characters, including '\$' and CR+LF)

Example message:

```
Fire 18/02/09 08:57
SMOKE DETECTOR ADR=120.00 ZONE 15
```

Sentence format: \$PKENM, datafield1\*hh<cr><lf>

Data	Description
\$	Start of message
P	Proprietary code
KEN	Manufacturers code (Kentec)
M	Sentence type (Message)
,	Data separator
Datafeild1	Text string
*	Checksum indicator
hh	8-bit XOR – checksum in ASCII
<cr><lf>	End of message

### Heartbeat

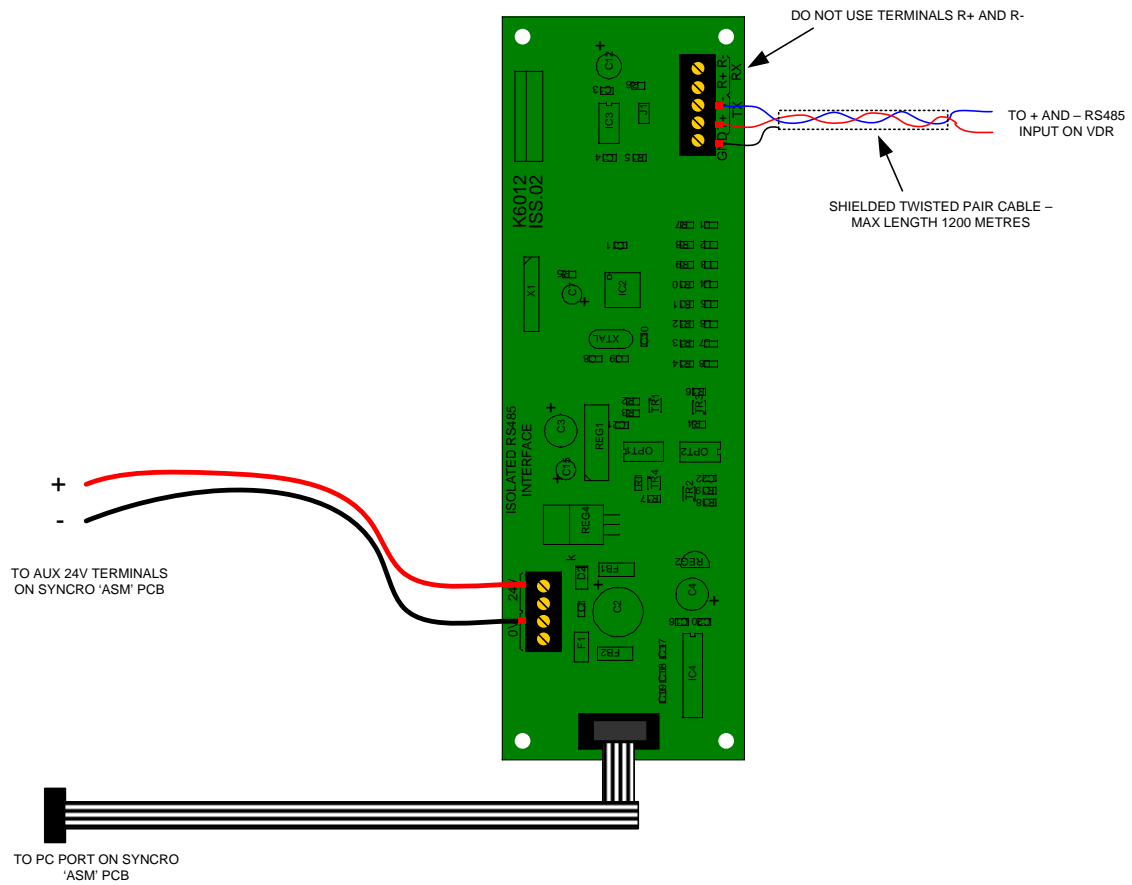
The VDR system does not provide any response to the sender so the heartbeat is simply to record that the fire panel is connected. A Heartbeat is sent every 30 seconds.

Heartbeat format: \$PKENH,OK\*hh<cr><lf>

Data	Description
\$	Start of message
P	Proprietary code
KEN	Manufacturers code (Kentec)
H	Sentence type (Heartbeat)
,	Data separator
OK	Text string for heartbeat
*	Checksum indicator
hh	8-bit XOR – checksum in ASCII
<cr><lf>	End of message

## Hardware

In order to connect the Syncro 'ASM' fire panel to the Voyage Data Recorder, an S737 hardware interface must be connected as shown below.



This hardware should be mounted in a suitable enclosure with 3 metres of the Syncro ASM fire control panel.