

**WBW99 red and WBW69 white ( WALL MOUNT VAD BEACON WHITE LED )**  
**WBW98 red and WBW68 white ( WEATHERPROOF VERSION )**

**WBW – WALL MOUNT  
VAD BEACON WHITE LED**

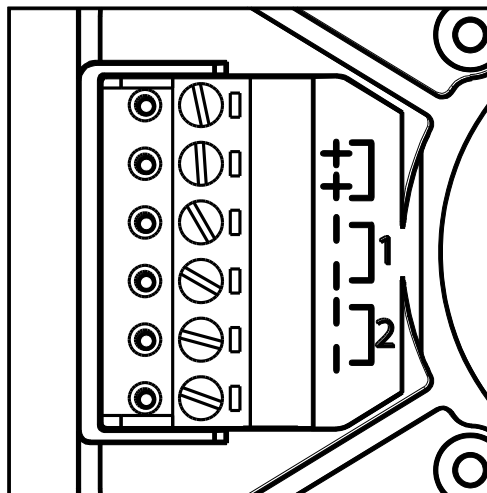
The wall mount VAD Beacon range with white light, named WBW, comprehends devices that combine the same high efficiency with an EN54 part 23 approved white light beacon that grants two different class W optical volume coverages, while ensuring the lowest current consumption on the market so far. The devices are available in white and red plastic colors and for internal and outdoor use, and have the same mechanical dimension and shape of the WMS series.



**Technical Specifications**

Code	WBWx9	WBWx8
Description	Wall Mount VAD Beacon White LED - Internal	Wall Mount VAD Beacon White LED - Weatherproof
Standards	EN54.23 with synchro Compliant	EN54.23 with synchro Compliant
Specification		
Operating Voltage	9Vdc to 60Vdc <sup>(1)</sup>	9Vdc to 60Vdc <sup>(1)</sup>
Operating Current	14.5mA ( high coverage, 0.5Hz)	14.5mA (high coverage, 0.5Hz)
	12,5mA (low coverage, 0.5Hz)	12,5mA (low coverage, 0.5Hz)
Optical coverage	See table 2	See table 2
Flash frequency	See table 1	See table 1
Environmental		
Operating Temperature	-10°C to +55°C	-10°C to +55°C
Humidity (Non Condensing)	0 to 95% RH	0 to 95% RH
Physical		
Construction	ABS V0, V2 PC for glasses	ABS V0, V2 PC for glasses
Colour	Red (WBW99) or White (WBW69)	Red (WBW98) or White (WBW68)
Dimensions (H x W x L)	45x109x121	63x118x121
Weight	203g	232g
IP - Ingress Protection	21	65
Cable Entry	Rear	Rear/Side
Cable Size	0.5mm to 2.5mm	0.5mm to 2.5mm

**Standard Connection**



PIN	Function
+	Positive (9-60V)
1	Negative (Standard Tones)
2	Negative (Alternative Tones)

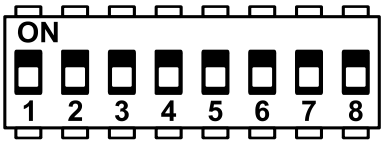


**WBW99 red and WBW69 white ( WALL MOUNT VAD BEACON WHITE LED )**  
**WBW98 red and WBW68 white ( WEATHERPROOF VERSION )**

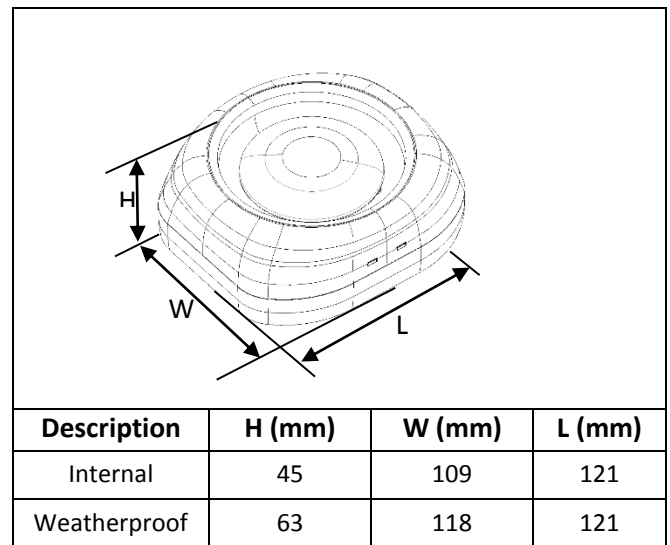
**System Functionality**


LED frequency set by dip switches (see Table 1)  
 LED power set by dip switches (see Table 2)


**DIP Switch Configuration**

	
Number	DIP Switch Configuration
1	Not used
2	
3	
4	
5	
6	
7	LEDs frequency selection
8	LEDs power selection

**Dimensions**



Type Reference WBW98 / WBW68	
20  2852	2852-CPR-0120  EN 54-23:2010 EN 54-3:2001 + A1:2002 + A2:2006

Type Reference WBW99 / WBW69	
20  2852	2852-CPR-0121  EN 54-23:2010 EN 54-3:2001 + A1:2002 + A2:2006



**WBW99 red and WBW69 white ( WALL MOUNT VAD BEACON WHITE LED )**  
**WBW98 red and WBW68 white ( WEATHERPROOF VERSION )**

Table 1: LEDs frequency switch

LEDs frequency	DIP configuration	Frequency
	Switch 7	
HIGH	0	1Hz
LOW	1	0.5Hz

Table 2: LEDs power switch

LEDs power	DIP configuration	En54-23 class
	Switch 8	
HIGH	1	W4-9
LOW	0	W3-7

