

LF24W Fire Alarm System: Visual Alarm Device and Sounder Installation Instructions

LF24W is an audio/visual warning panel, available in different models and suited for any emergency situation such as fire, flooding, gas leaks, etc., where visual and audio information is needed

Assembly Instructions

- Make four holes into the wall to fit the holders (Fig. 2 ❶)
- Fix the mounting box with the four screws (Fig. 2 ❷)
- Connect the power supply to the terminals (Figure 1)
- In the sounder is not needed, connect the SILENT jumper (Fig. 1)
- Fix the central part to the mounting box with the four screws (Fig. 2 ❸)
- Place and press the external cover and fix it by screws (Fig. 2 ❹)

Figure 1

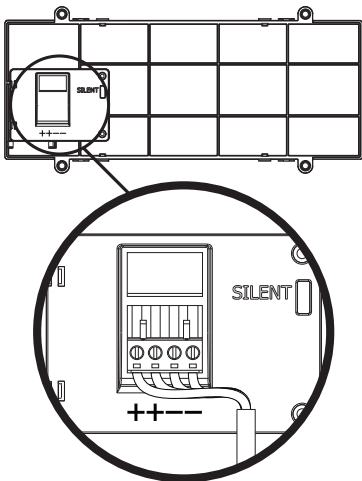
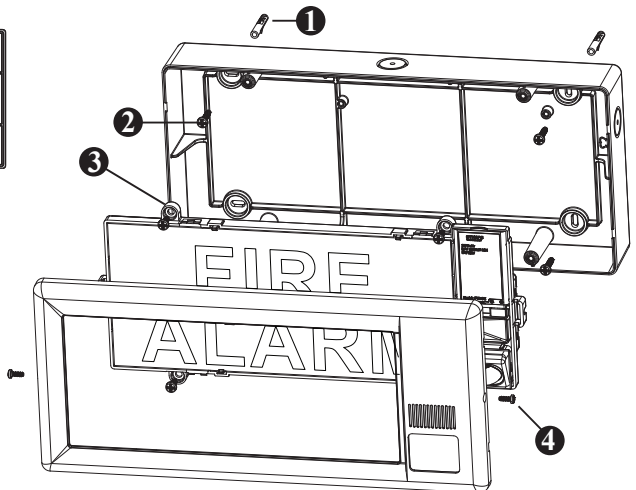


Figure 2



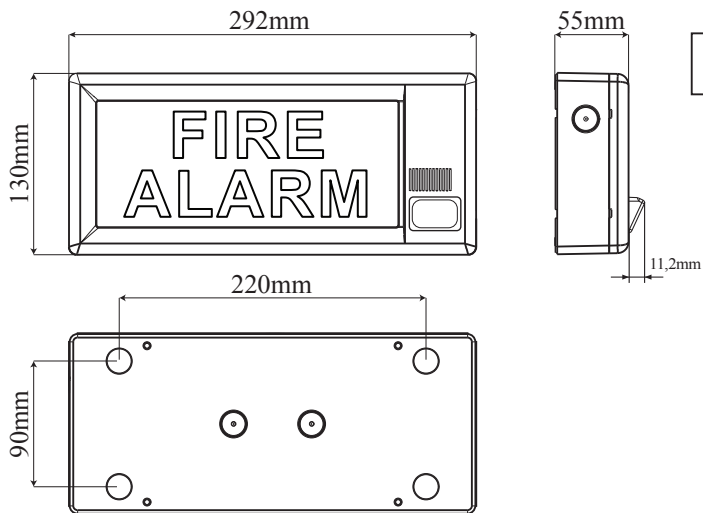
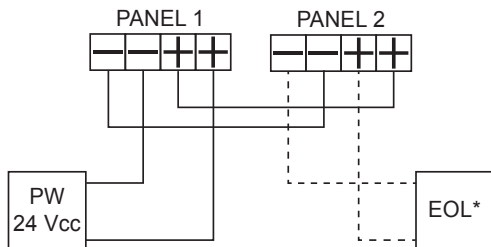


Figure A

Technical Specifications

Flammability grade	V2
Protection Class	IP21C
Nominal Voltage	24Vd.c. (min 18 Vd.c., max 30Vd.c.)
Line consumption 24V	50mA
Line consumption 8V	10uA max
Mounting Height	4,6m max
Code (square base)	W-4,6-9,1
Codice (rectangular base Fig. A)	0-4,6-9,1-9,9
Type of connection	By terminals
Dimensions	292x130x55mm (L x H x P)
Flash Light Color	White
Operating temperature	From -10°C to +55°C
Optical specifications	Flash frequency: 1Hz
Class	TYPE A
Sounder specifications	Sound power (max, 90° plan V): >90dB(A) @ 1m Buzzer frequency: 2,8KHz Sound pulse frequency: 1Hz

Connection



*POLARITY INVERSION or
LOW VOLTAGE SURVEY (max 8V)



2852-CPR-0162

EN 54-23:2010
EN 54-3:2001 +
A1:2002 +
A2:2006

Synaps Technology Srl
Via Pietraferrata, 9/1
34147 - Trieste
ITALY