



CHARACTERISTIC / CARATTERISTICHE

Volt	12V	
Capacity / Capacità	20h	120Ah
	5h	102Ah
Internal Resistance	Full Charged Battery 25°C ≤m5Ω	
Capacity affected by Temperature / Effetti delle temperature sulla capacità	40°C	102%
	25°C	100%
	0°C	85%
	-15°	65%
Self-Discharge 25°C Capacity / Autoscarica a 25°C	after 3 month storage	90%
	after 6 month storage	80%
	after 12 month storage	62%
Charge (Costant Voltage 25°C)	Float	Volt 13.6 - 13.8V
	Charge	Max.35Amp. 14.4 - 14.9 Volt

CHARACTERISTIC / CARATTERISTICHE

Battery dimensions / Dimensioni batteria			
L/L	W/P	H/A	Tot - H/A
327	172	217	222
Box Dimensions / Dimensioni scatola			
L/L	W/P	H/A	
346	188	289	
Weight / Peso			31.20Kg
Terminal / Terminali			M8
Case / Contenitore			ABS

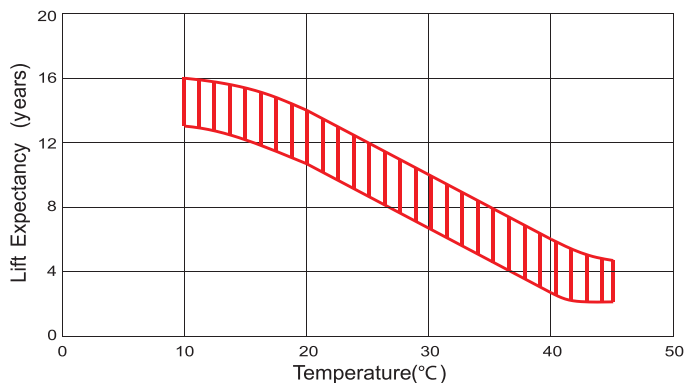
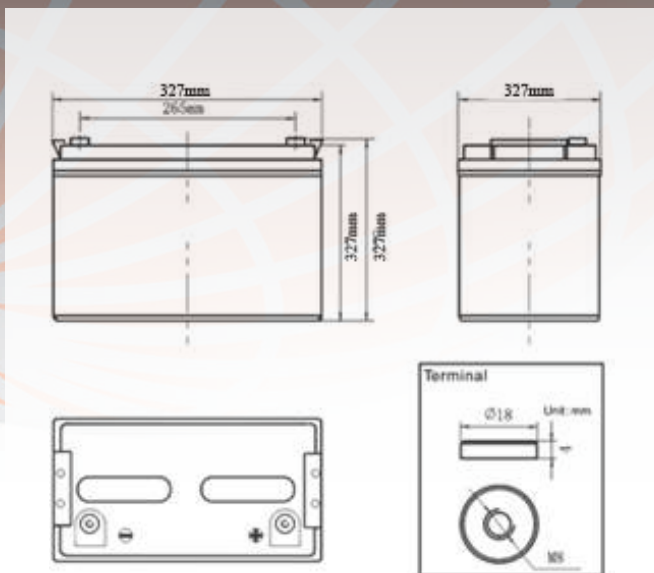
Amp. (25°C)

F.V/Time	5min	10min	15min	30min	45min	1h	2h	3h	5h	8h	10h	20h
1.60V			157.1	110.9	79.6	70.7	43.8	30.0	20.4	13.4	12.0	6.6
1.65V			154.2	108.9	78.2	69.5	43.0	29.4	20.0	13.2	11.8	6.5
1.70V			151.4	106.9	76.7	68.2	42.2	28.9	19.6	12.9	11.6	6.4
1.75V			148.5	104.9	75.3	66.9	41.4	28.3	19.3	12.7	11.3	6.2
1.80V			142.8	100.8	72.4	64.3	39.8	27.3	18.5	12.2	10.9	6.0

Watts (25°C)

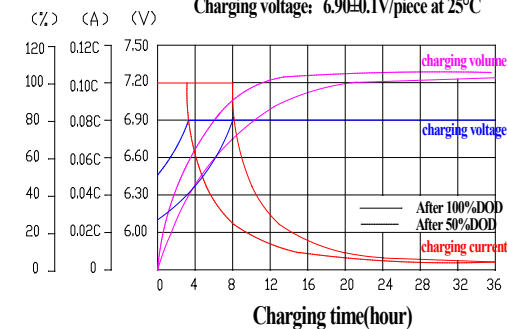
F.V/Time	5min	10min	15min	30min	45min	1h	2h	3h	5h	8h	10h	20h
1.60V			302.4	213.5	153.3	136.2	84.2	57.7	39.2	25.9	23.1	12.7
1.65V			296.9	209.6	150.5	133.7	82.7	56.7	38.5	25.4	22.7	12.5
1.70V			291.4	205.7	147.7	131.2	81.2	55.6	37.8	24.9	22.2	12.2
1.75V			285.9	201.9	144.9	128.7	79.6	54.6	37.1	24.4	21.8	12.0
1.80V			274.9	194.1	139.3	123.8	76.6	52.5	35.7	23.5	21.0	11.5

ZGL120085

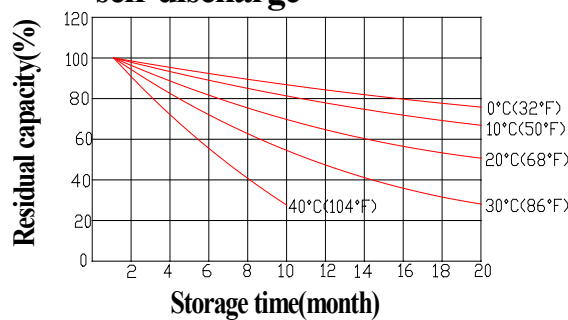


Charging characteristics

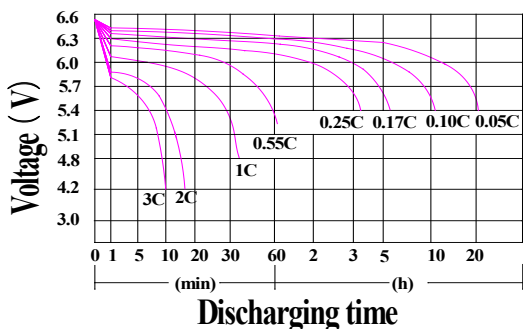
Charging voltage: 6.90±0.1V/piece at 25°C



Temperature effect on battery self-discharge



Discharge characteristics (25°C)



Temperature effect on capacity

